

NV9

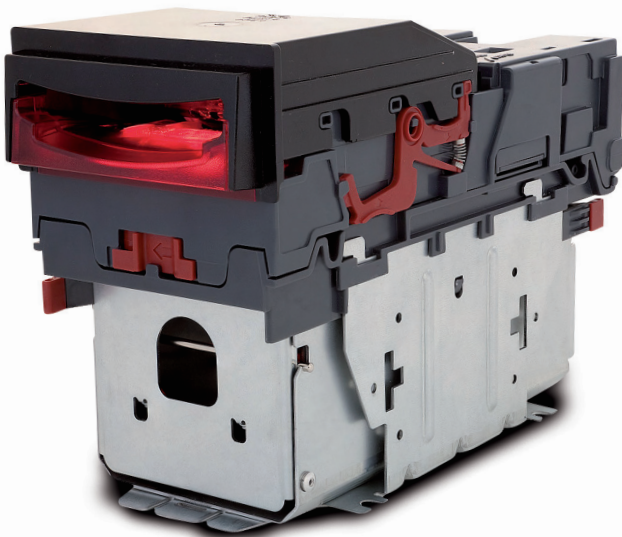
The reliability of the Smiley series with the advantages of a built-in stacker

The NV9 is easy to use and install.

Its special design features guarantee strength and durability over time.

The anti-fishing device has been further improved and can recognise any fraud attempt.

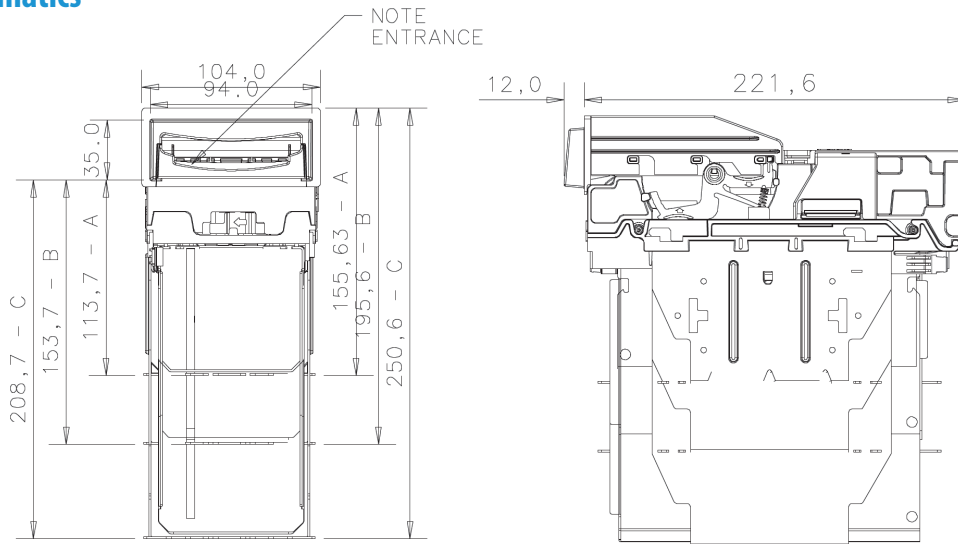
The high speed motors of the new acceptance device allow quick banknote validation, stacker placement and credit display, in only 3 seconds. The NV9 guarantees a 99.8% average validation rate for banknotes of various denominations. Now NV9 is also available in a new USB version.



Features

- Fluorescent sensor, which can analyse features that are not visible to the naked eye.
- USB connection to connect with machines based on a PC architecture.
- Possibility of either vertical or horizontal installation.
- Positioning can be performed by simply replacing the front plate, either horizontally or vertically.
- Kevlar drive belts for easy banknote feeding.
- Programming via PC or configuration sheets.
- Cloning possibility from NV9 to NV9, for on-site reprogramming and updating.

Technical Schematics



Note: Unit of measure: mm

Tools

DA2 kit

Kit for programming, configuration and diagnostic operations.



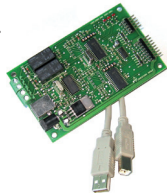
DA3 kit

Kit for programming, configuration and diagnostic operations directly on-site.



USB Kit

Includes 1 board and 1 USB cable. Allows for the simultaneous connection of an RM5 coin mechanism and a banknote reader to a personal computer without the need for additional adaptors.



Download Area

Files for updating the firmware and for programming banknotes from various countries, which can be obtained free of charge from the download area at www.comestergroup.eu.



Versions

The following versions are integrated in the individual device: parallel, pulse, SSP (Smiley Secure Protocol), serial (RS 232), MDB, ccTalk and more. Escrow function (for single banknotes). Available in two versions for stacking up to 300 or 600 banknotes.

Optional accessories

- AGCAVOSMILE: cable for connecting the banknote reader to its host machine in parallel mode. Available lengths: 20 - 50 - 100 - 150 cm
- AGCAVOSMILEPULS: cable for connecting an NV9 in pulse mode. Available lengths: 100 and 200 cm
- SERIAL USB: cable for converting a serial connection to a USB connection
- Available introduction plates: vertical up bezel - horizontal bezel - vertical up snout bezel - vertical down snout bezel
- DA2 kit
- DA3 kit
- USB Kit

Related products

- Easy Pro change machine
- Dual Coin Pro change machine
- Easy Change change machine
- Dual Coin change machine
- Ad Hoc change machine
- Autocoin Advance change machine
- SimplyStart Advance Carwash start systems
- Cash Points
- Banknote counters
- Cashless systems
- Coin validators

Technical Specifications

	With 300 banknote stacker	With 600 banknote stacker
Dimensions (lxhxw) (mm) (*) vertical orientation	100 x 220 x 139	100 x 220 x 177.5
Weight (g)	1,700	
Power supply	12 Vdc (MDB version: min. 18 V - max 42 V)	
Current consumption	350 mA in stand-by - 1 A during acceptance - 1.2 A with stacker in function	
Power consumption	4.2 W in stand-by - 12 W during acceptance - 14.5 W with stacker in function	
Operating temperature	+3°C ÷ +50°C - 5 ÷ 95% humidity non-condensed	
Banknotes accepted (mm)	Up to 82 x 160	
Recognisable banknotes	up to 15 different banknote denominations in serial, pulse and binary validation modes, 4 banknotes in parallel mode	
Acceptance speed	3 ÷ 6 sec.	