

# Smart Payout

## The new banknote reader - dispenser equipped with the Smart Payout system

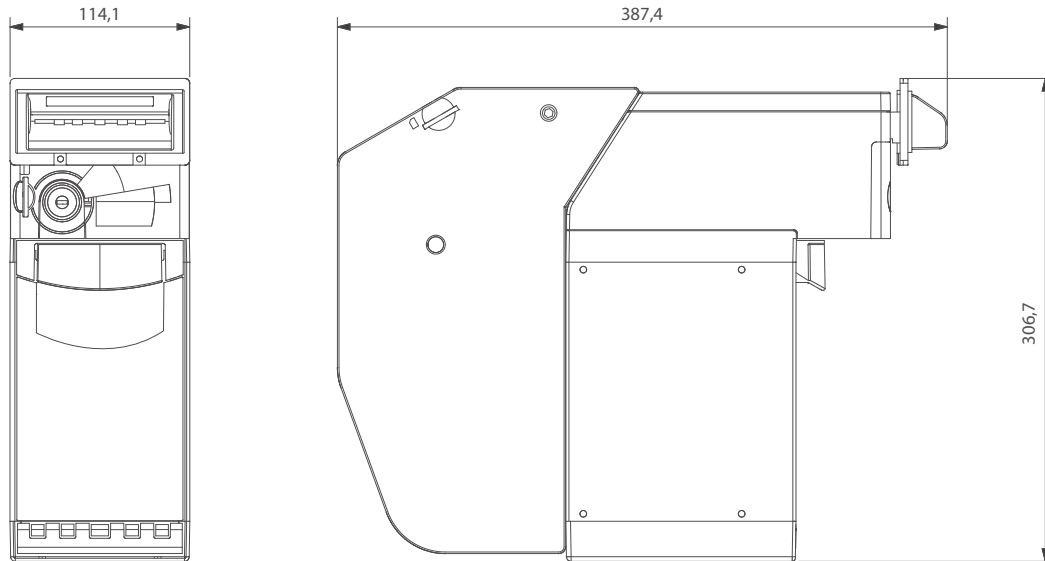
The ideal reader/dispenser to meet the requirements of various sectors, including: gaming facilities, kiosks, casinos, vending machines, self-service facilities and shops, as well as parking and ticketing areas. Smart Payout is the first dispenser that can handle multiple banknotes of various denominations. It has a capacity of 80 banknotes in recirculation, plus 500 or 1000 in the cash box. It can be used for quickly dispensing change in banknotes using of a sophisticated winding system, which makes dispensing both fast and secure. It periodically performs self-diagnostics upon its sensors and mechanical elements and automatically re-calibrates their operation, thereby guaranteeing optimal performance over time. It is equipped with advanced electronic anti-fraud devices. Thanks to the IF 14 electronic board, Smart Payout is completely compatible with the ccTalk communications protocol.



### Features

- Innovative mechanics with winding system.
- Eliminates queues due to slow banknote dispensing.
- Accepts banknotes with over 85 mm width.
- Collects, discriminates and stores banknotes for future dispensing.
- Dispenses all of the banknotes which have been accepted and sent to the recycler.
- 99.8% acceptance rate using SPF technology.
- USB port.
- In order to simplify the emptying phase, all the Smart Payout banknotes can be conveyed to the stacker for an easier collection.
- The device is protected by the proprietary eSSP protocol with an encrypted key encoded at 128 bits.
- Automatic diagnostics and calibration system.

## Technical Schematics



Note: Unit of measure: mm  
Download the solid models of our products from the download area at [www.comestergroup.eu](http://www.comestergroup.eu)

### Functions

A sophisticated winding system makes dispensing fast and secure: Smart Payout can recognise the exact position of the banknote to be dispensed at any given time.

### Tools

#### IF 14

Board for converting the eSSP protocol into ccTalk.



### Versions

- eSSP
- ccTalk (with IF 14 board)

### Related products

- Nexus Pro coin/banknote change machine

## Technical Specifications

Dimensions (lhxwx) (mm)	114 x 298 x 362
Weight (kg)	5.5
Power supply	12V
Banknotes dispensed	80
Banknote Capacity	80 + 500
Protocol	eSSP