



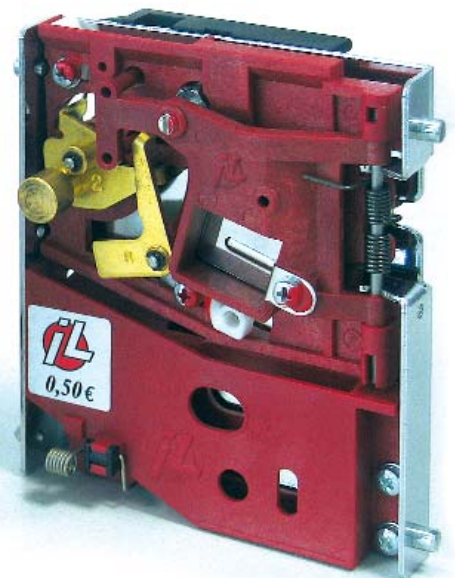
**EASY,
PRECISE,
COMPACT.**

MECHANICAL COIN MECHANISM B700

- The side pins, studied according to international standards, guarantee easy mounting; it also is suitable to be installed on existing machines .
- Coins/tokens are selected through diameter, weight and thickness.
- Cleaning and maintenance of the acceptance channel can be done easily due to the complete opening of the door.
- Available the B7G version, with selection by means of the shaped hole on front plate.

USE

*Gaming in general
Arcades
Car washes
Campsites
Gyms
...*



MECHANICAL COIN MECHANISM B700

TECHNICAL FEATURES

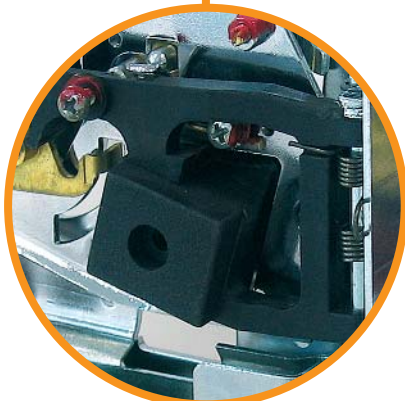
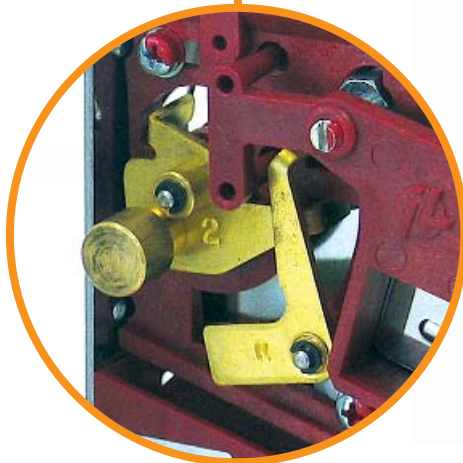
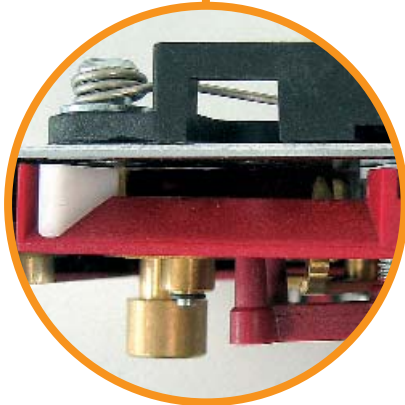
INTRODUCTION	1 COIN
COIN/TOKEN DIAMETER (mm)	MIN 17- MAX 32
DIMENSIONS	89mm x 102mm x 15mm
ASSEMBLY	vertical (the coin mechanism cannot work with inclined axes)

TECHNICAL FEATURES

- Easy mounting is guaranteed thanks to the side pins, studied according to international standards
- Cleaning and maintenance can be done easily, thanks to the acceptance channel opening.

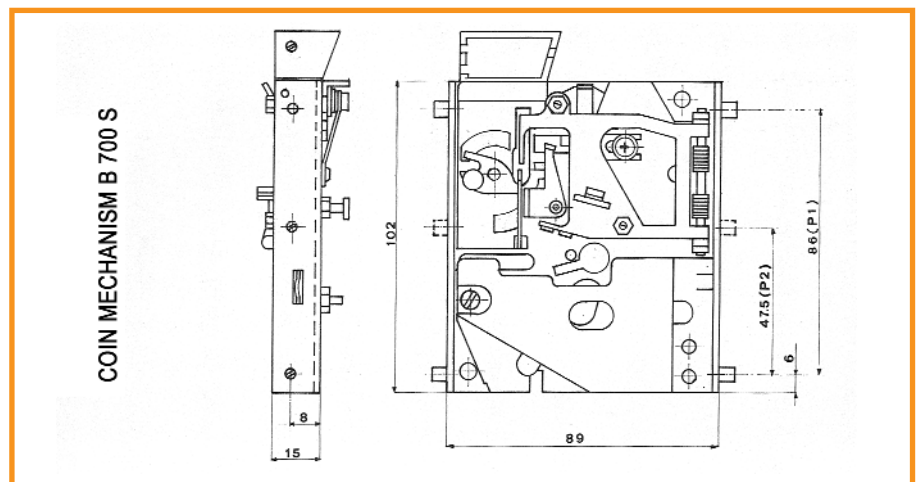
MECHANICAL FEATURES

- Coins/tokens are selected through diameter, weight and thickness.
- It is provided with 7 control standards: 5 size controls, 1 weight control and 1 magnetic density control by means of a magnetic.



B7G

Nella versione B7G, accettatore a caduta libera, select by means of the shaped hole on the front door.



Comestero
group

Via M. Curie, 8
20060 GESSATE (MI) Italy
Tel. +39/02/95781111 - Fax +39/02/95380178
www.comestergroup.it
comestero@comestergroup.it

Distributed by: