

DESIGNED FOR THE GAMBLING MARKET.
Unique technological innovation combined with quality and affordability.

RM5 CCTALK

ELECTRONIC COIN VALIDATOR

- The coin validator is interfaced to the machine board via a serial line, as provided by CCTALK protocol. It therefore perfectly meets the cctalk protocol and the unmodifiability requirements of italian law 289.
- Unique technological innovation combined with quality and affordability confirmed by over 400,000 units in the marketplace.
- It has been tested and approved by the main board manufacturers, both in Italy and abroad; it is therefore perfectly compatible with the most known models of boards currently produced on the market.
- It is equipped with two different connectors as required by CCTALK specifications to satisfy the widest connection requirements and it can drive 2 to 4 way sorters plus reject.



ELECTRONIC COIN VALIDATOR RM5 CCTALK

Fig. 1

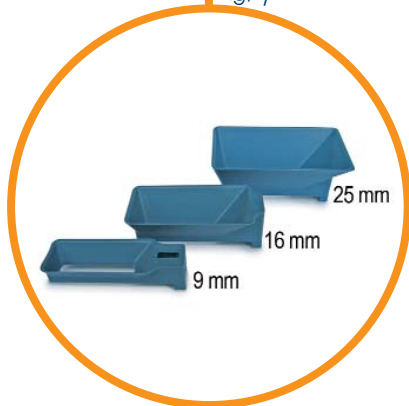
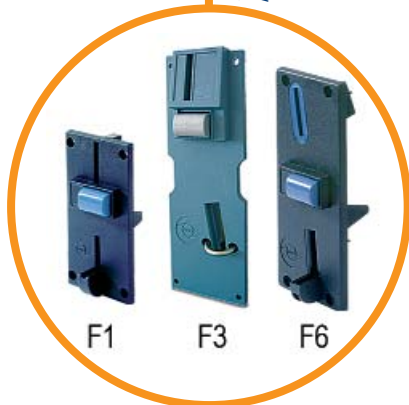


Fig. 2



TECHNICAL FEATURES

SIZE	STANDARD 3 INCHES 1/2
WEIGHT	185 GR.
POWER SUPPLY	12 VDC
OPERATING TEMPERATURE	0 ÷ 55°C - 10 TO 75% - NON CONDENSED HUMIDITY
STORAGE TEMPERATURE	0° ÷ 55°C
CHANNELS	16 - ALL EURO COINS 0.01 ÷ 2 RECOGNIZED
MAXIMUM ACCEPTANCE SPEED	3 COINS/SEC.
COIN ACCEPTANCE	DIAMETER 16 ÷ 31,5 MM - THICKNESS 3,3 MM MAX.
CONSUMPTION TESTED AT 12 VDC	STAND-BY: 35 MA MAX. 12 VDC RECOGNIZING: 50 MA MAX. 12 VDC ACCEPTING: 340 MA MAX. 12 VDC
CONFORMITY DECLARATIONS	EN 61000-6-1: EMC PAYOUT POSITIONS EN 55022: IMMUNITY FROM RADIO NOISES AND INTERFERENCES EN 60950: SAFETY

KEY BENEFITS

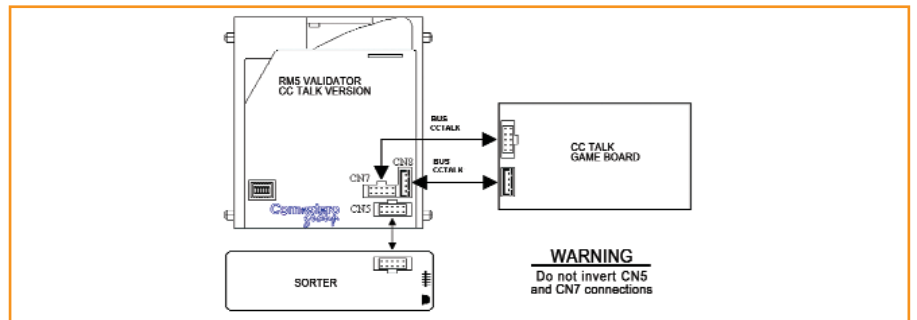
- Unique technological innovation combined with quality and affordability confirmed by over 400,000 units in the marketplace.
- The coin validator is interfaced to the machine board via a serial line, as provided by CCTALK protocol. It therefore perfectly meets the unmodifiability requirements of law 289.
- It has been tested and approved by the main board manufacturers, both in Italy and abroad; it is therefore perfectly compatible with the most known models of boards currently produced on the market.

- It is equipped with two different connectors as required by CC TALK specifications to satisfy the widest connection requirements and it can drive 2 to 4-way sorters plus reject.

ACCESSORIES

- Frontals mod. F1 (60x118 mm) - F3 (60x180 mm) - F6 (60x152 mm), (fig. 2).
- Coin collection funnels different heights: 9, 16, 25 mm (fig. 1).

VALIDATOR - SORTER - BOARD CONNECTION DIAGRAM



COMMANDS IMPLEMENTED ON THE COIN VALIDATOR FOR ITALIAN APPLICATION

CONTROL	FUNCTION	CONTROL	FUNCTION	CONTROL	FUNCTION
254	SIMPLE POLL	238	TEST OUTPUT LINES	192	REQUEST BUILD CODE
253	ADDRESS POLL	237	READ INPUT LINES	184	REQUEST COIN ID
252	ADDRESS CLASH	236	READ OPTO STATES	170	REQUEST BASE YEAR
251	ADDRESS CHANGE	233	LATCHES OUTPUT LINES	169	REQUEST ADDRESS MODE
250	ADDRESS RANDOM	232	PERFORM SELF CHECK	4	REQUEST COMMS REVISION
249	REQUEST POLLING PRIORITY	231	MODIFY INHIBIT STATUS	3	CLEAR COMMS STATUS VARIABLES
248	REQUEST STATUS	230	REQUEST INHIBIT STATUS	2	REQUEST COMMS STATUS VARIABLES
246	REQUEST MANUFACTURER ID	229	REQUEST BUFFERED CREDIT OR ERROR CODE	1	RESET DEVICE
245	REQUEST EQUIPMENT CATEGORY	227	REQUEST MASTER INHIBIT STATUS		
244	REQUEST PRODUCT CODE	210	MODIFY SORTER PATH		
243	REQUEST DATABASE VERSION	209	REQUEST SORTER PATH		
242	REQUEST SERIAL NUMBER	197	CALCULATE ROM CHECKSUM		
241	REQUEST SOFTWARE VERSION	196	REQUEST CREATION DATE		
240	TEST SOLENOIDS	195	REQUEST LAST MODIFICATION DATE		

Comestero
group

Via M. Curie, 8
20060 GESSATE (MI) Italy
Tel. +39/02/95781111 - Fax +39/02/95380178
www.comestergroup.it
comestero@comestergroup.it

Distributed by: